

KMS 3
MOUNTING-ADJUSTMENT

KMS 3 MOUNTING ADJUSTMENT

Description

The KMS-3 is a universally applicable hydraulic pressure measuring system for the precise adjustment and detection of the preload between cutting or magnetic and anvil cylinders for rotary die-cutting machines. The currently set cutting pressure is exactly indicated on the manometer in kilonewton and bar.

The KMS-3 comes with integrated quick adjustment. It is mounted on a special, hardened threaded spindle which is used in the pressure bridge instead of a rigid spindle. With a minimum of installation effort the KMS-3 is mounted on the spindle bridge with two screws.

For some cutting units, the existing bore of the standard threaded spindle must be drilled out.

Please use the drilling template for the mounting holes.

Adjustment

By turning the star handle the preload can be set in the system and indicated on the manometer. To start the machine, a force of about 4 kN, which corresponds to the KMS-3 with a pressure of about 110 bar, is usually sufficient.

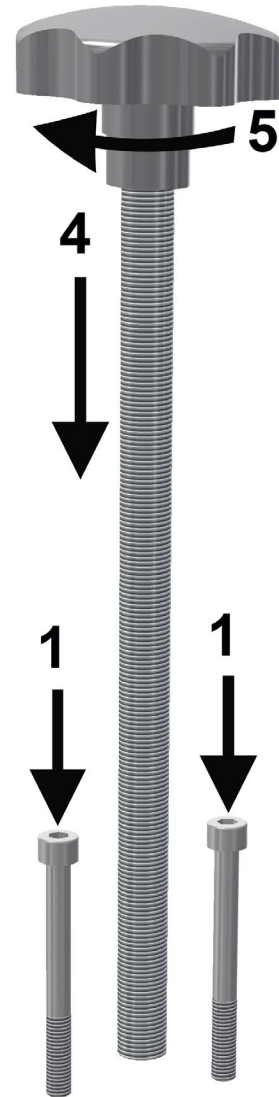
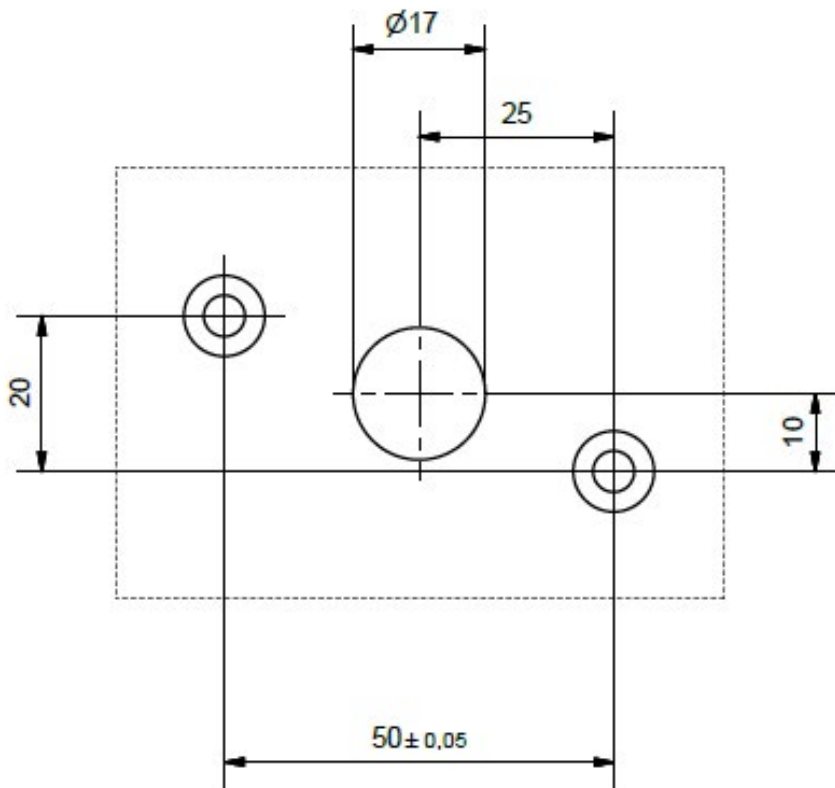
Important NOTE!

Do not adjust the pressure beyond the display area, as the pressure gauge will be damaged.



QUALITY BUILT + SERVICE DRIVEN

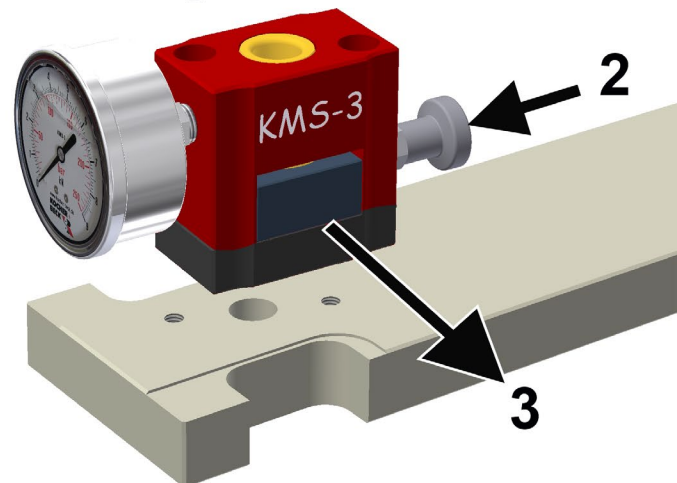
ASSEMBLY INSTRUCTIONS



Requirement: Drill mounting holes with hole template and cut thread M8.

Working steps

1. Fix KMS-3 with the enclosed 2 screws M8x75.
2. Pull the locking pin.
3. Press slide.
4. Insert threaded spindle up to pressure bridge. Push the slide back again.
⇒ Locking pin snaps in.
5. Set the cutting pressure by using the star grip and read off the manometer.





Team Germany

**Kocher+Beck GmbH + Co.
Rotationsstanztechnik KG**



Dieselstraße 6
72124 Pliezhausen



+49 (0) 7127 / 9785 – 0



info@kocher-beck.de



www.kocher-beck.com



Team USA

Kocher+Beck USA L.P



15850 West 99th Street
Lenexa,
KS 66219



+1 (913) 529 – 4336



info@kocher-beck.com



www.kocher-beck.com



Team United Kingdom

Kocher+Beck UK LTD



Brunel Way,
Stephenson Industrial Estate
Coalville, Leicestershire,
LE67 3HF



+44 (0)1530 812400



sales@kocher-beck.co.uk



www.kocher-beck.com



Team Russia

OOO Kocher+Beck



142116 Russian Federation
Moscow dist.,
Podolsk,
Domodedov ave. 47



+7 (495) 660 02 28



verkauf@kocher-beck.ru



www.kocher-beck.com

